

STATIONARY & MOBILE LIFTERS



SAFE:

- ▶ Reduce workplace injuries
- ▶ Eliminate the need to lift heavy carts and containers

EFFICIENT:

- ▶ Empty carts and containers at the touch of a button

VERSATILE:

- ▶ Variety of models for nearly any waste handle or recycling application
- ▶ Mobile and stationary models with dump heights from 46" to 120"



ROVER MOBILE LIFTERS

- Fast, efficient, station-to-station collection
- Improves workplace efficiency and reduces chance of injuries
- Auto safety pads lock in place when unit is in use
- Stores easily when not in use
- 12 volt battery charger included
- 350 lb. load rating / 800 lb. ship weight
- Painted safety yellow

Works with two wheel carts & caster carts

Part # 3069-MT-2000 46"-48" max dump height Economy	Part # 3063-MT-4124 49 1/2"-54" max dump height Non-Towable	Part # 3063-MT-4024 49 1/2"-54" max dump height Non-Towable
--	--	--

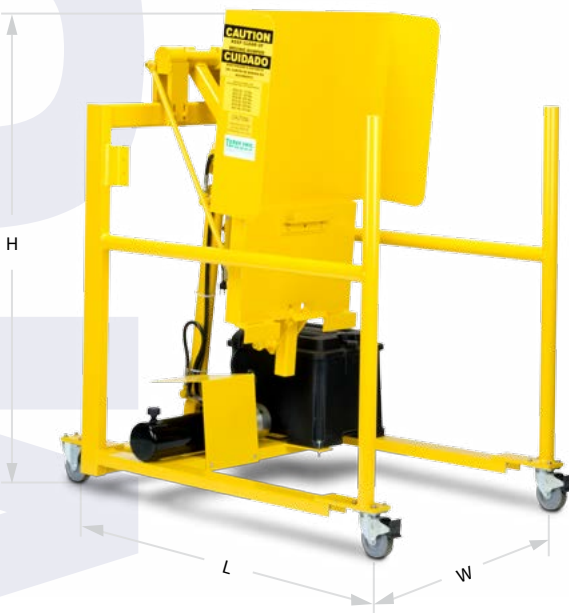


ATLAS MOBILE LIFTERS

- Maximum dump height of 68" to 84"
- Designed to empty Atlas 32 and 44 gallon containers
- Fits competitors side lift handle barrel containers
- Easily fits through 32" door opening
- 350 lb. load rating / 675 lb. ship weight
- Painted safety yellow

Works with two wheel carts & caster carts

Part # 3081-MT-1000



SADDLE MOBILE LIFTERS

- Maximum dump height of 68" to 84"
- Casters allow easy, efficient, station-to-station collection
- Easily fits through 32" door opening
- 12 volt battery (DC) charger included
- 350 lb. load rating / 400 lb. ship weight
- Painted safety yellow

Works with two wheel carts and caster carts

Part # 3081-MT-50000



STATIONARY LIFTERS

- Powered by a 115/230 volt, single-phase, 2hp motor
- Up to 70" dump height
- 350 lb. load rating / 800 lb. ship weight
- Painted safety yellow
- Maximum dump height of 45 1/2" to 70"

*** Works with two wheel carts and caster carts**

Single phase: 3069-ST-2001 3063-ST-4124, 4126, 4128, 4132	Three phase: 3069-ST-2003 3063-ST-4324, 4326, 4328, 4332
--	---



UNIVERSAL STATIONARY LIFTER

- Compatible with mobile trucks, tilt trucks and carts
- Mounts to concrete or metal pad
- Powered by a 208/230/460 volt, three-phase, 5hp motor
- 2,500 lb. load rating / 1,400 lb. ship weight
- Painted safety yellow

Works with tilt trucks, two wheel carts and caster carts

Part # 3078-XX-6000 XX = Dump height in increments of 5" from 50" to 70"	Low Profile Universal Lifter Part # 3078-LP-5000
---	---



SADDLE STATIONARY LIFTER

- 68" to 84" maximum dump height
- Empties into various containers, compactors and other collection systems
- Mounts to concrete or metal pad
- Powered by a 115/230 volt, single-phase, 1hp motor
- 350 lb. load rating / 400 lb. ship weight
- Painted safety yellow

Works with two wheel carts and caster carts

Part #3081-ST-5000



CANDY CANE STATIONARY LIFTER

- 72" to 120" dump height
- Ideal for applications requiring a high dump angle into deep collection units
- Designed for bulk amounts of waste and materials
- Power unit supplied
- Powered by a 208/230/460 volt, three-phase, 2hp motor
- 350 lb. load rating / 2,000 lb. ship weight
- Painted safety yellow

Works with tilt trucks, two wheel carts and caster carts

Part # 3064-ST-2000

STATIONARY & MOBILE LIFTERS

LIFTERS ACCESSORIES



Alarm with Flashing Light
Compatible with Atlas Mobile, Rover Mobile and Saddle Mobile lifters
Part # 3063-MT-6024



Floor Stop Bracket
Compatible with Atlas Mobile, Rover Mobile and Saddle Mobile lifters
Part # 3063-MT-6022



Battery Percent Meter
Compatible with Atlas Mobile, Rover Mobile and Saddle Mobile lifters
Part # 3063-MT-6022

POWER UNITS & CONTROLS



Power Unit



Batteries and battery box



Operator Controls



Control Panel



Manual Valve Controls



Tel: 877.468.9278 | sales@wastequip.com | www.wastequip.com

Wastequip is the leading North American manufacturer of waste and recycling equipment for collecting, processing and transporting recyclables and solid or liquid waste. December 2016 © Wastequip, all rights reserved. Specifications subject to improvement without notice. Equipment displayed should be operated by properly trained personnel. Operators should become familiar with OSHA, ANSI and any other applicable standards or laws for using this equipment. Improper use, misuse, or lack of maintenance could cause injury to people and/or property. Photos used in the literature are illustrative only. We assume no liability or responsibility for proper training/operation of equipment not manufactured by Wastequip. We reserve the right to make changes at any time without notice. Information contained within this literature is intended to be the most accurate available at time of printing.